

HOU BF C

HOURGLASS Tap Range

Hourglass Bath Filler Chrome



Specification

Product Type:	Bathroom Taps
Main Construction Material:	Brass
Mount Type:	Deck
Handle Type:	Lever
Connection Inlet:	3/4" BSP
Connection Outlet:	Flow Straightener
Number of Tap Holes:	2
Valve/Cartridge Type:	3/4" Ceramic Disc Valve
Plumbing System Requirements:	Suitable for all plumbing systems
Minimum Dynamic Pressure (bar):	0.2 bar
Maximum Dynamic Pressure (bar):	5.0 bar
Maximum Hot Water Temperature °C:	65°C
Maximum Static Pressure (bar):	10 bar
Flow Type:	Single
Isolation Included:	No

Features:

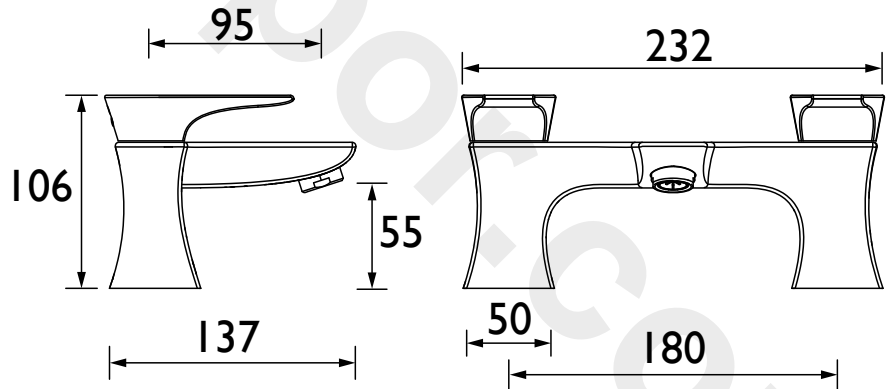
- Long life and easy to use 1/4 turn ceramic disc valves
- Metal back nuts for added durability
- Chrome plated to BS EN 248

Product Certifications:



WRAS Certificate No: 2004909
WRAS Expiry Date: 30/04/2025

Dimensions (measurements in mm)



For more products, visit our website:
<http://www.bristan.com>



Flow Rates (l/min)

System Pressure (bar)	0.2	0.5	1	2	3	5
HOU BF C (mixed)	12.3	28.4	40.3	57.7	70.7	91.2

TECHNICAL DATA SHEET



BRISTAN